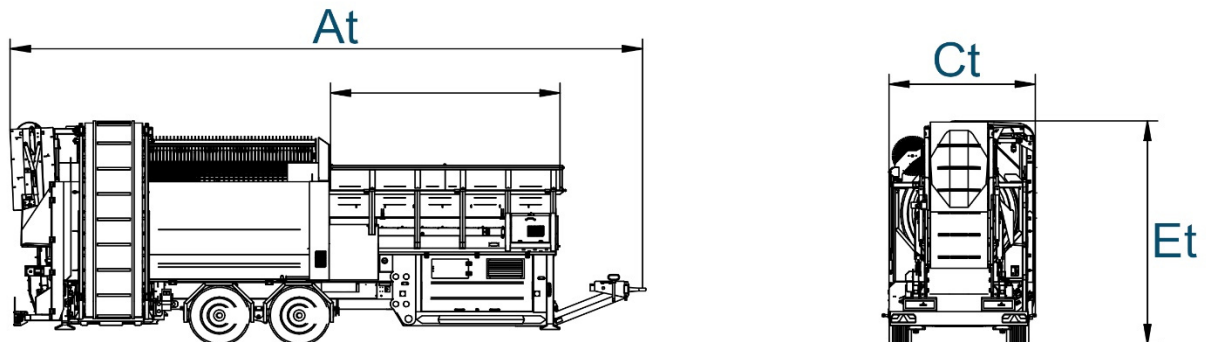
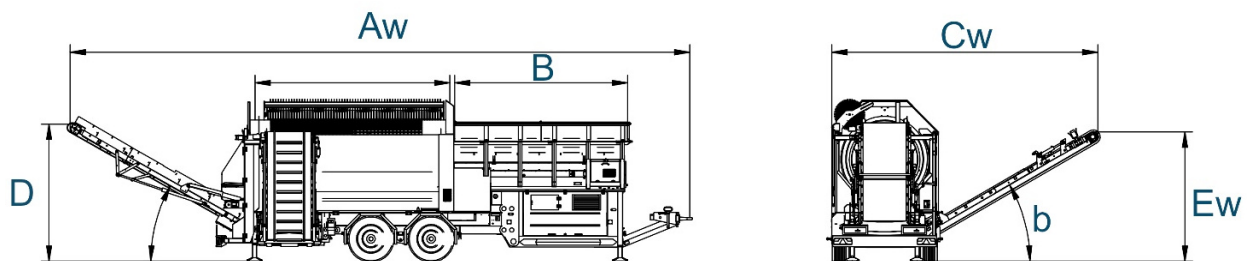


## Technical data

### Transport dimension



### Working dimensions



Terra Select		T 50	
<b>Transport Dimensions</b>			
Machine length	At	mm	11.000
Machine height	Et	mm	4.000
Machine width	Ct	mm	2.550
<b>Working Dimensions</b>			
Machine length	Aw	mm	14.310
Machine height	Ew	mm	4.000
Machine width	Cw	mm	6.140
<b>Operating conditions</b>			
Temperature range		°C	-10 / +37
<b>Infeed hopper</b>			
Conveyor belt quality			EP 900/3
Feeding quantity		m <sup>3</sup>	> 6
Feeding side			both sides
Feeding height		mm	2.850
Feeding width	B	mm	4.000
Feeding depth		mm	1.800
Belt width		mm	1.200
<b>Cleaning brush</b>			
Diameter		mm	700
Adjustment			hydraulical
Position			at left hand side in direction of travelling

<b>Screen trommel</b>			
Trommel length		mm	4.500
Trommel diameter		mm	2.000
Trommel surface		m <sup>2</sup>	28
Trommel surface net		m <sup>2</sup>	25
Trommel material thickness		mm	6-12
Trommel perforation		mm	up to 80
Trommel perforation types			round, square, rectangular, rhombus
Trommel perforation arrangement			in line or offset
Trommel speed		u/m	Max. 21
<b>Discharge conveyors</b>			
Fine belt length		mm	6.700
Fine belt width		mm	1.000
Fine belt discharge height	Ew	mm	3.100
Coarse grain belt length		mm	4.900
Coarse grain belt width		mm	1.000
Coarse grain discharge height	D	mm	3.300
<b>Drive unit</b>			
Diesel engine			CAT C 3.6 12V
Power		kW	55
Engine size / Cylinder		l	3,6 / 4 Cylinder
Emission standard			Tier 4 final / EU-Stage V
Tank volume		l	300
Tank cover			Outside, at right hand side in direction of traveling, lockable
<b>Switchboard</b>			
Special features			with complete electric control and motor monitoring Machine operation: at right hand side in direction of traveling Medium sound pressure level LP A max = 89,1 dB (A)
<b>Undercarriage</b>			
			2-axle trailer acc. to German Traffic Rules with ABS
Tyres			385/65 R22,5
Total admissible weight		kg	16.000
Lighting system		V	24
Towing eye		D (mm)	50
<b>Painting</b>			
Machine			Blue RAL 5010
Layer thickness		µm	>120
Conveyor belt frame			lacquered
<b>Dimensions Belt Extensions</b>			
Machine length	Aw	mm	14.330
Machine width	Cw	mm	7.360
Fine belt length		mm	8.060
Fine belt discharge height	F	mm	3.700
Coarse grain belt length		mm	5.900
Coarse grain discharge height	D	mm	3.800